



Aricent ISS reduces the development costs of new products by 80%

Accelerate Ethernet Switching Infrastructure Development with Aricent ISS

Challenges

The Ethernet switching infrastructure vendors looking to provide devices with a broad feature set face an uphill task integrating components from multiple vendors. This increases integration and maintenance costs and delays the introduction of new products.

Solution

Aricent Intelligent Switch Solution is a comprehensive software package that allows equipment manufacturers to develop robust, scalable, feature rich and modular devices on a single software platform.

Benefits

Aricent Intelligent Switch Solution enables you to rapidly develop new products in different form factors while significantly reducing integration and maintenance costs.

Developing an Integrated Switching Solution is Complex

With the increased adoption of Ethernet in a variety of applications and networks, OEMs and service providers benefit greatly from a single integrated solution that supports IP routing, Ethernet switching, Operations and Management (OAM), Quality of Service (QoS), traffic filtering, security, fault tolerance and management services. However, equipment manufacturers face multiple challenges in integrating these different technologies, often purchased from multiple vendors, into a single, easily managed, cost effective system. These include increase in integration and maintenance costs, delays in introducing new products, as well as sub-optimal product performance due to integration of disparate components into a single integrated device.

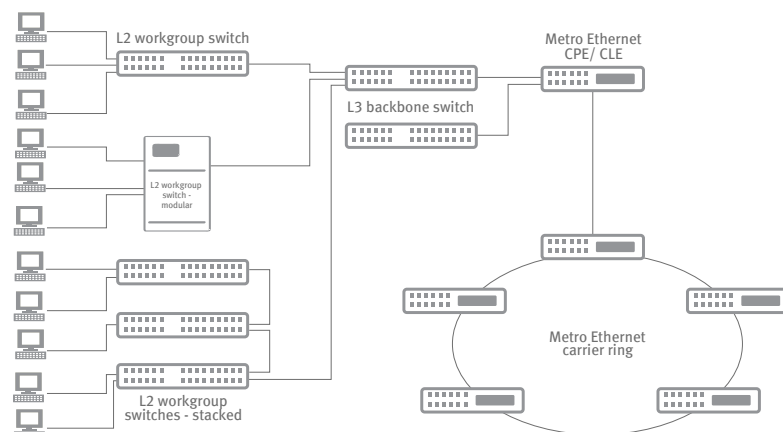
- *ISS radically reduces integration and maintenance costs – in some cases up to 80% when compared to building a new product from scratch and reduces time-to-market by 85% compared to new development.*
- *Aricent ISS is a proven switching solution and is integrated into the devices of more than 50 OEMs.*
- *ISS has been ported to the platforms of all the key silicon vendors who are industry leaders in Metro Ethernet solutions.*

Aricent Intelligent Switch Solution (ISS)

Aricent Intelligent Switch Solution (ISS) solution is a comprehensive software package for several product categories such as service provider access / aggregation/ edge devices, Carrier, Datacenter, Industrial and Metro Ethernet, cellular backhaul, DSLAM, GEAPON, LTE, mobile backhaul, MSAN, etc. This enables equipment vendors to develop a variety of products in multiple form factors on a single software platform.

Functionality included as part of Aricent ISS:

- **Basic Ethernet switching control** – Spanning tree, VLAN learning and provisioning, link aggregation and LLDP
- **IPv4 and IPv6 routing** – Static routing, unicast and multicast routing protocols



- **Access Security** – Traffic filtering using ACLs, DoS attack protection and 802.1x
- **High availability** – Fault tolerant, redundant control and management plane
- **Ethernet OAM** – System monitoring, fault management and performance management compliant with 802.3ah, 802.1ag and Y.1731 standards
- **Management** – Complete management with SNMP, CLI and user-friendly web based user interface

Using the ISS software, equipment vendors can develop advanced devices that are robust, modular, scalable and interoperable to meet the requirements of new services and applications.

Features and Benefits

Proven solution – Aricent's ISS is a market proven solution. It is integrated into more than 80 devices of more than 50 OEMs.

Reduced cost and time-to-market- ISS reduces your product development time by 85% and development costs by up to 80%. Aricent ISS allows you to introduce new products in less than 5 months.

Modular architecture – Aricent ISS modular architecture enables development of a highly scalable and flexible system while reducing upfront integration costs.

Comprehensive feature set – Aricent ISS provides a rich set of features that enable you to quickly introduce new and innovative products while reducing integration complexities.

Ease of deployment – Aricent ISS comes with a well-defined user interface that ensures smooth and rapid deployment with little training. Additionally, support for SNMP, CLI and web based UI ensures cost effective remote management and maintenance of the devices.

Excellent product support – Aricent provides its customers on-demand support services with quick turnaround time.

Aricent Design and Integration Services

Aricent ISS is supported by the company's experience of nearly two decades in communications technologies combined with integration and design services that reduce overall risks for equipment manufacturers. Our services reduce time-to-market for new and innovative products that cater to the emerging trends of advanced home networking, fixed-mobile convergence, 3G-Femtocell and more.

Ready to use Integrated Solution

Aricent partners with silicon and hardware vendors to provide an integrated solution that speeds up product development and reduces risks associated with new product development. The integrated solution can be used to develop products for Carrier, Datacenter, Industrial and Metro Ethernet.

Next Steps

To learn more about Aricent ISS, contact your sales representative. Additional information can be found at <http://www.aricent.com/iss>.

CORPORATE OFFICE

700 Hansen Way
Palo Alto, CA 94304-1388 USA
Phone +1 650 391 1088
www.aricent.com



© 2009 Aricent Inc. All rights reserved. All Aricent brand and product names are service marks, trademarks or registered marks of Aricent Inc. in the United States and other countries. All other marks are the property of their respective owners.